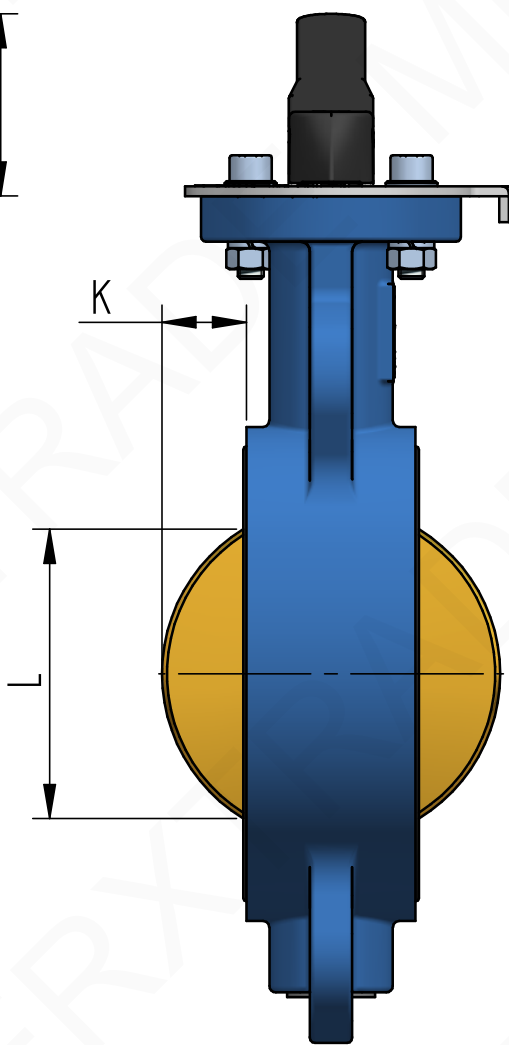
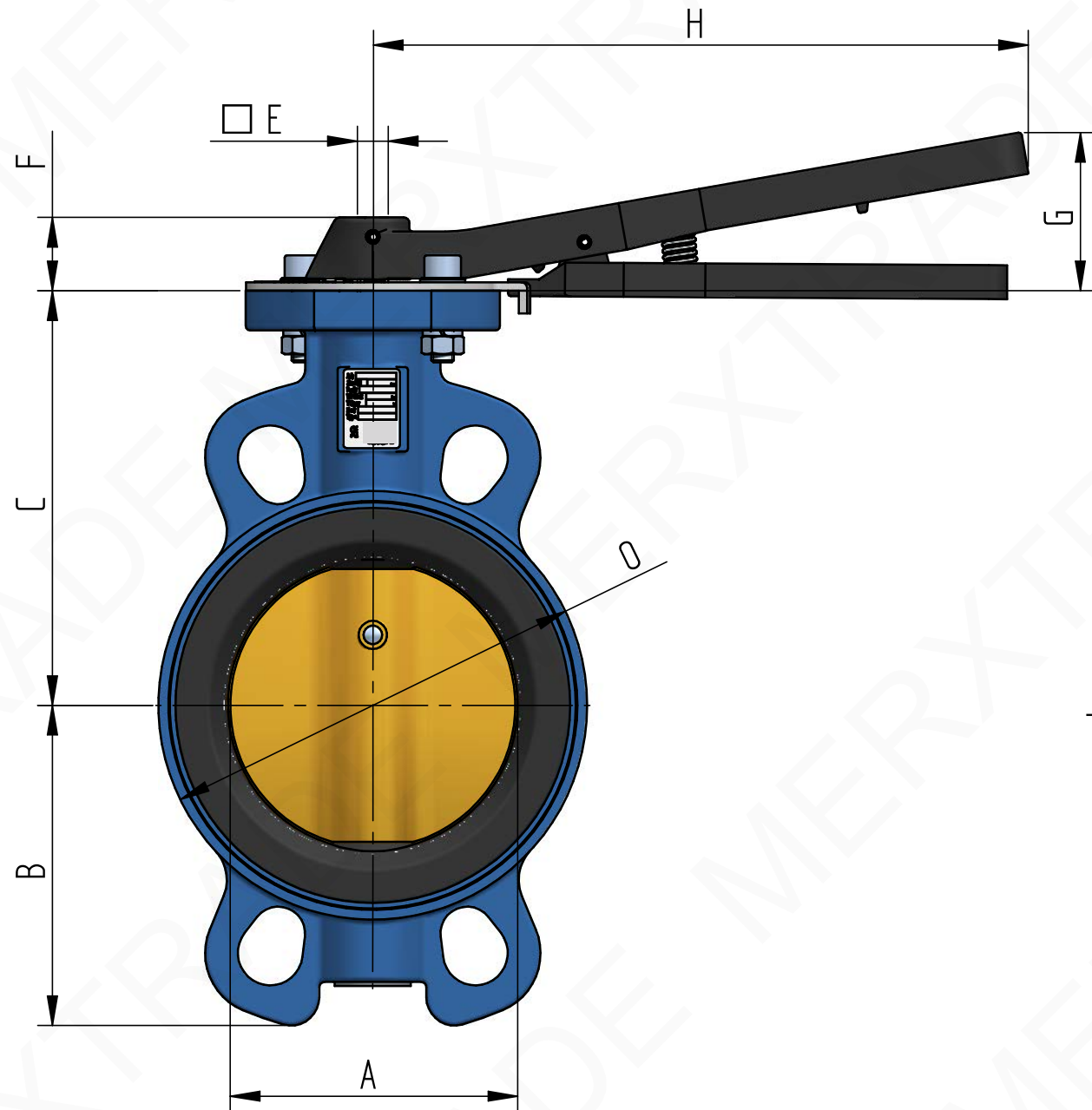


BUTTERFLY VALVE WAFER TYPE LEVER OPERATED

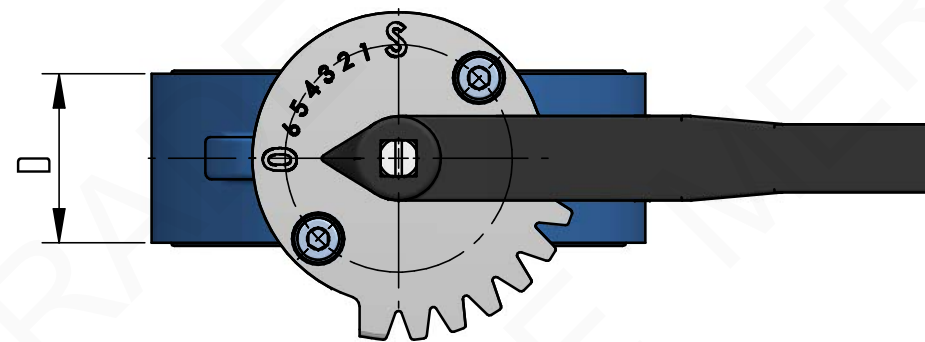


WAFER TYPE LEVER OPERATED DN40 - DN200



Size DN40 to DN200, Design EN593
Face to face acc. EN558.1 series 20
Flange connections: DIN PN6-10-16-25
ANSI B 16.5 Cl. 150#, JIS B 2211 5K, 10K
Temperature -40/+250°C
Various pressure ratings up to 25 bar
Top flange according ISO 5211
Vacuum to 1*10⁻³ 0.2 Torr absolute

Standard available materials :			
BODY	DISC	SHAFT	SEAT
EN-JS1030	BS 1400 AB2	SS 1.4122	NBR -15°C / +80°C
A216 WCB	EN-JS1030	SS 431	EPDM -30°C / +110°C
SS 1.4408	SS 1.4408	SS 1.4462	Viton -0°C / +200°C
BS 1400 AB2	SD 2507	SD F53	Silicone -20°C / +250°C



Size	A	B	C	D	E	F	G	H	K	L	O	Weight ± Kg
DN 40	41	58	113	33	[] 11	26	56	223	4	24	72	2.3
DN 50	52	65	118	43	[] 11	26	56	223	5	27	93	3.6
DN 65	63	89	126	46	[] 11	26	56	223	9	43	108	4.6
DN 80	78	96	133	46	[] 11	26	56	223	16	62	124	4.8
DN 100	103	113	147	52	[] 11	26	56	223	26	90	152	6.2
DN 125	125	130	160	56	[] 14	28	68	325	34	110	177	8.7
DN 150	155	146	180	56	[] 14	28	68	325	50	145	210	10.7
DN 200	201	177	204	60	[] 17	30	68	325	71	193	265	15.2